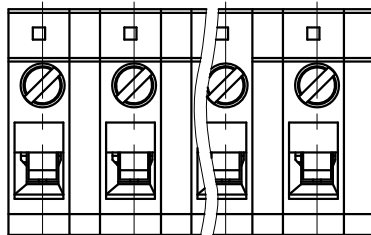


REVISION RECORD				
REV	ECN	DESCRIPTION	DRFT	DATE



NOTES1:

- UL Standard
- 1.Rated Voltage/Current : 300V / 20A
- 2.Torque Value : M2.5 , 4.4Lb.in
- 3.Wire Range : 30~12AWG

IEC Standard

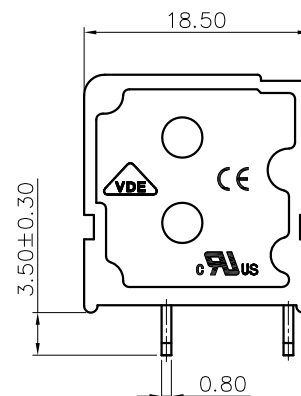
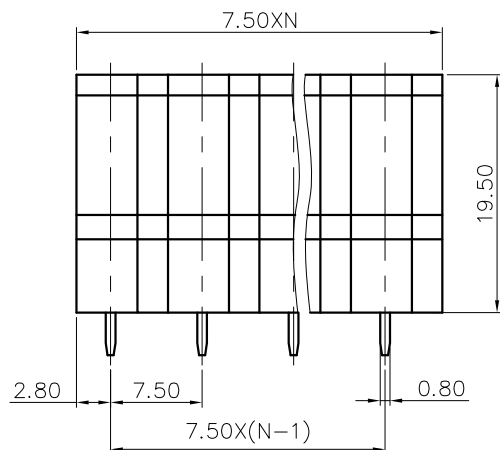
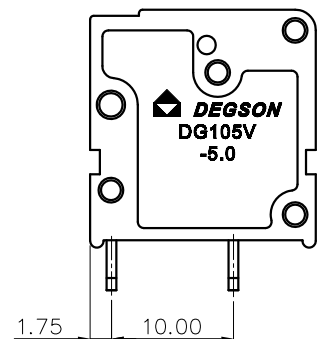
- 1.Rated Voltage/Current : 450V / 24A
- 2.Torque Value : M2.5 , 0.4N.m
- 3.Wire Range : 0.5~2.5mm<sup>2</sup>

NOTES2:

- 1.Dimension shall be interpreted per ASME Y14.5-2009
- 2.Pitch : 7.5mm, Poles : N=02~XXP
- 3.Stripping length : 13-14mm
- 4.Withstanding Voltage : AC2500V/1Min.
- 5.Operating temperature: -40°C~+105°C
- 6.Undimensioned Tolerances:

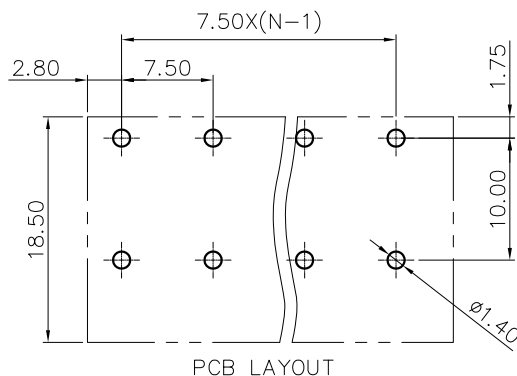
Pitch Range In mm	Nominal Dimension Range				0.1/10
	Over 6 TO 10	Over 10 TO 24	Over 30 TO 60	Over 60 TO 150	
TO 6	±0.15	±0.20	±0.30	±1.00	±2'

7.RoHS Compliance



DG105V - 7.5 - XXP - 1Y - 10A (H)

(Series No.) (Pitch) (Poles) (Single Pitch) (Color):1.(Grey)  
 2.(Blue)  
 3.(Black)  
 4.(Green)  
 5.(Orange)  
 6.(Red)  
 7.(Transparent)  
 8.(Yellow)  
 9.(White)



DETACHED LISTS	PART NO.:	宁波高松电子有限公司 NINGBO DEGSON ELECTRICAL CO., LTD			
	APPD:	NAME: DG105V-7.5-XXP-1Y-10A(H)			
	CHKD:	TITLE: CUSTOMER DRAWING			
	DRFT:	DRAWING NO.:		REV	DO
	THIRD ANGLE PROJECTION		MM (INCH)	DO NOT SCALE DRAWING	SCALE 1:1